




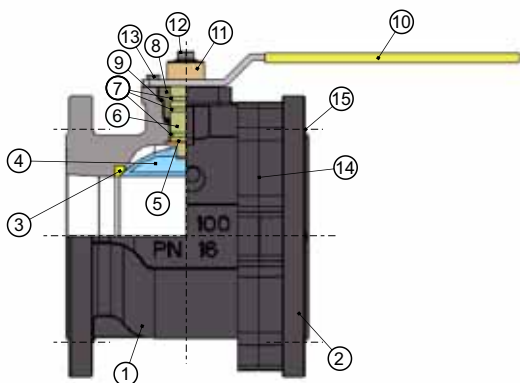


GHISA - IVR 82 - IVR 83

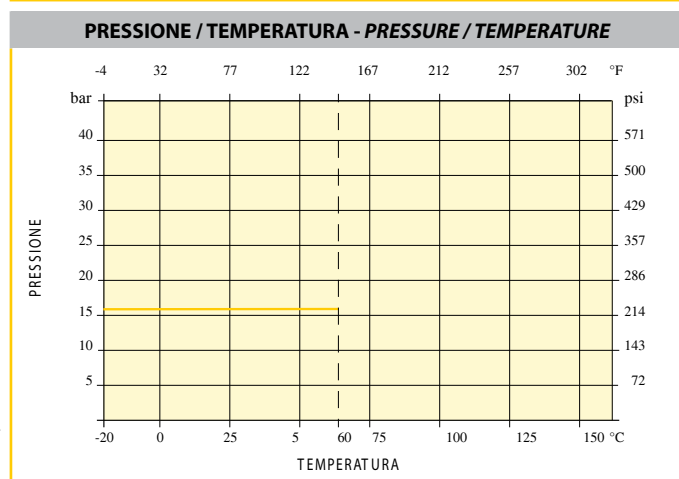


-  Valvola a sfera in ghisa GJS 400 per gas - attacchi flangiati PN16 (IVR 82)
Valvola a sfera in ghisa GJS 400 per gas - asta e sfera inox - attacchi flangiati PN16 (IVR 83)
Impieghi: impianti di distribuzione gas a media e bassa pressione e idocarburi
-  Cast iron GJS 400 ball valve for gas - flanged ends PN16 (IVR 82)
Cast iron GJS 400 ball valve for gas - stainless steel stem and ball - flanged ends PN16 (IVR 83)
Application: medium and low pressure gas distribution plants and hydrocarbons
-  Kugelhahn aus Gusseisen GJS 400 für Gas - Flanschanschlüsse PN16 (IVR 82)
Kugelhahn aus Gusseisen GJS 400 für Gas - Stab und Kugel aus Edelstahl - Flanschanschlüsse PN16 (IVR 83)
Anwendung: Gasversorgungssysteme mit mittlerem und niedrigem Druck und Kohlenwasserstoffen
-  Vanne à boisseau sphérique en fonte GJS 400 pour gaz - fixations bridées PN16 (IVR 82)
Vanne à boisseau sphérique en fonte GJS 400 pour gaz - tige et sphère inox - fixations bridées PN16 (IVR 83)
Application: Installations distribution de gaz à moyenne et basse pression et hydrocarbures
-  Фланцевый шаровой кран для газа из чугуна GJS 400 - фланцевые соединения PN 16 (IVR 82)
Фланцевый шаровой кран для газа из чугуна GJS 400 - Шток и шар из нержавеющей стали – фланцевые соединения PN 16 (IVR 83)
Сфера применения: газовые сети среднего и низкого давления, углеводороды.



N	DENOMINAZIONE PART NAME	MATERIALE MATERIAL	TRATTAMENTO TREATMENT
1	Corpo - Body	Ghisa GJS400 Cast iron GJS400	Verniciato - Painted
2	Flangia - Flange	Ghisa GJS400 Cast iron GJS400	Verniciato - Painted
3	Seggio - Seat	PTFE	
4	Sfera - Ball	Ottone - Brass G-CuZn38Pb2-UNI 5035/62	Cromata Chrome plated
4*	Sfera - Ball	AISI 304	
5	Rondella - Seat	PTFE	
6	Asta - Stem	AVP - 9SMnPb36	
6*	Asta - Stem	AISI 304	
7	O-Ring - O-Ring	FP	
8	O-Ring - O-Ring	FP	
9	Premistoppa Packing nut	Ottone - Brass CW 614N - UNI EN 12164/98	
10	Maniglia - Handle	Acciaio - Steel	Rivest. PVC - Plastic coated
11	Cappuccio - Cap	Ottone - Brass CW 614N - UNI EN 12164/98	Nichelato - Nickel plated
12	Vite - Screw	Acciaio - Steel	Zincato - Zinc plated
13	Vite - Screw	Acciaio - Steel	Zincato - Zinc plated
14	O-Ring - O-Ring	FP	
15	Vite - Screw	Acciaio - Steel	Zincato - Zinc plated

*IVR 83 - come IVR 82 ma con sfera e asta in acciaio INOX AISI 304
*IVR 83 - like IVR 82 but with steel AISI 304 stem and ball

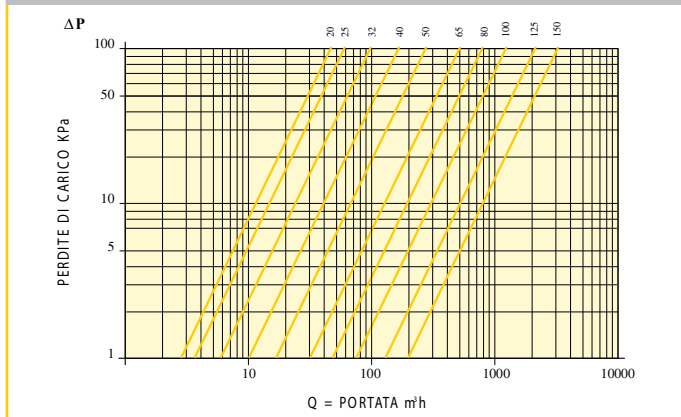


Size DN20-DN150 16 bar	Max +60° C Min -20° C	Estremità flangiata Flanged ends UNI-EN 1092	Asta anticoppio Anti blow-out stem
------------------------------	--------------------------------	--	---------------------------------------



Tutte le caratteristiche tecniche dei prodotti sono soggette a modifiche senza preavviso - All product's technical specifications are subject to modification without prior notice

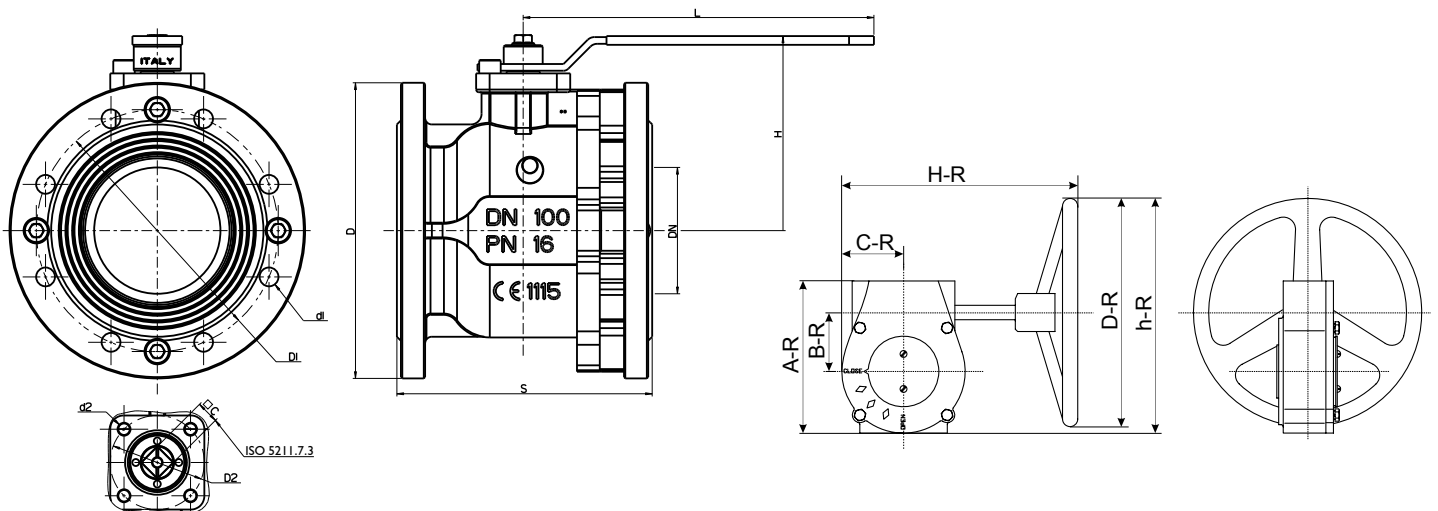
PERDITE DI CARICO - FLOW AND PRESSURE DROPS



Misura - Size	KV
DN 20	45
DN 25	60
DN 32	100
DN 40	170
DN 50	265
DN 65	510
DN 80	790
DN 100	1230
DN 125	1900
DN 150	2900

DIMENSIONI - DIMENSIONS (mm)

DN	Ø	S	H	L	D	a	N°fori	M°fori	D°fori	F.ISO	Ø F	□ C	A-R	B-R	C-R	D-R	h-R	H-R
20	20	120	73	200	105	75	4	*	14	F04	42	9	*	*	*	*	*	*
25	25	125	77	200	115	85	4	*	14	F04	42	9	*	*	*	*	*	*
32	32	130	82	200	140	100	4	*	18	F04	42	9	*	*	*	*	*	*
40	40	140	92	240	150	110	4	*	18	F05	50	14	127	45	52	150	175	210
50	50	150	99	240	165	125	4	*	18	F05	50	14	127	45	52	150	175	210
65	61	170	121	260	185	145	4	*	18	F07	70	17	127	45	52	150	175	210
80	74	180	130	260	200	160	8	*	18	F07	70	17	127	45	52	150	175	210
100	95	190	144	260	220	180	8	*	18	F07	70	17	127	45	52	150	175	210
125	120	200	185	450	250	210	8	M16	*	F10	102	22	170	63	73	288	280	315
150	145	210	204	450	285	240	8	M20	*	F10	102	22	170	63	73	288	280	315



IVR 180 - Riduttore di manovra manuale
 IVR 180 - Manual gearbox
 IVR 180 - Manuelles Getriebe
 IVR 180 - Réducteur de manoeuvre manuelle
 IVR 180 - Ручной редуктор управления