

PN 10 - Art. D140 TIS1

PN 16 - Art. D141 TIS1

PN 25 - Art. D142 TIS1

VALVOLA A FARFALLA BIFLANGIATA DOPPIO ECCENTRICO PN10/16/25

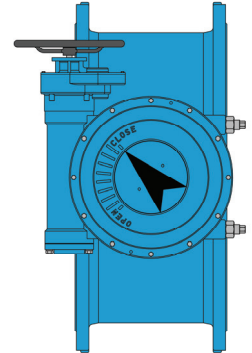
DOUBLE FLANGED, DOUBLE ECCENTRIC, BUTTERFLY VALVE PN10/16/25

APPLICAZIONE:

Stazioni di pompaggio, imp. di trattamento, bacini idrici, impianti di desalinizzazione, applicaz. industriali.

APPLICATION:

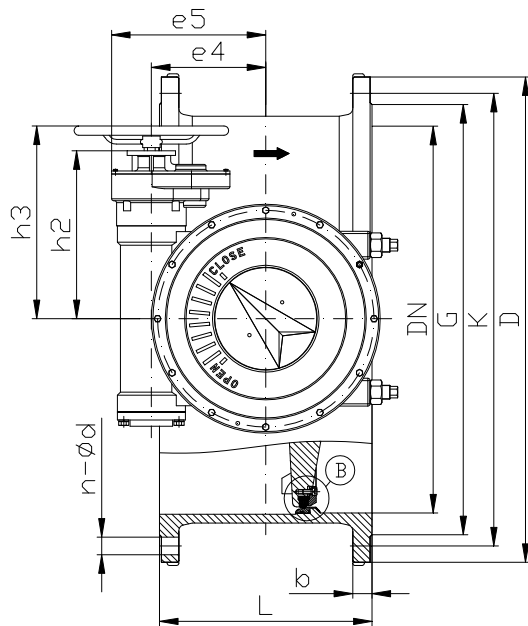
Pumping stations, treatment plants, reservoirs, desalination plants, industrial applications.



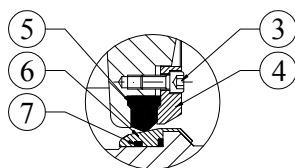
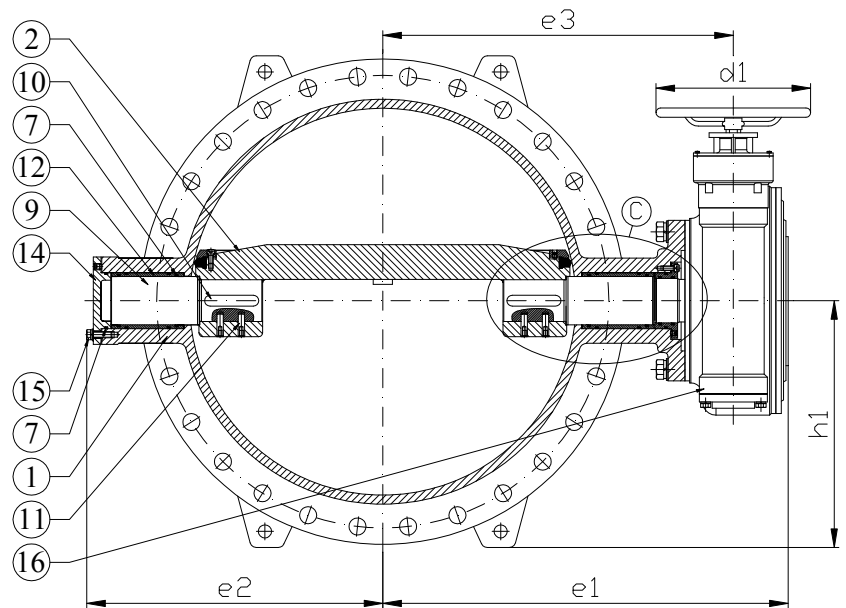
NORMA PROGETTO: EN 593, EN 1074-1 ed EN 1074-2
SCARTAMENTO: EN 558-1 Serie 14
FLANGE: EN 1092-2
COLLAUDI: EN 12266
TEMP. ESERCIZIO: Min -15°C/Max+80°C

DESIGN STANDARD: EN 593, EN 1074-1 and EN 1074-2
FACE TO FACE: EN 558-1 Series 14
FLANGES: EN 1092-2
TESTS: EN 12266
WORKING TEMP.: Min -15°C/Max+80°C

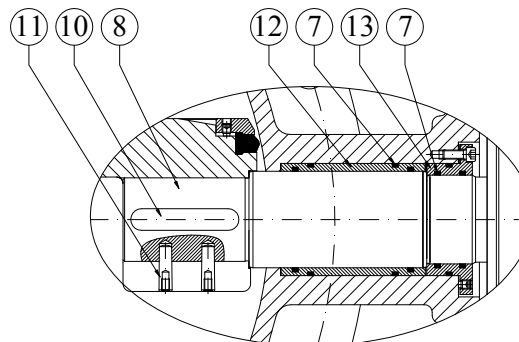
CLOSED POSITION



OPEN POSITION



DETAIL B



DETAIL C



PN 10 - Art. D140 TIS1

PN 16 - Art. D141 TIS1

PN 25 - Art. D142 TIS1

DENOMINAZIONE - PART	MATERIALI - MATERIALS
1 CORPO - BODY	GHISA SFEROIDALE GJS400/15 - DUCTILE IRON GJS400/15
2 DISCO - DISC	GHISA SFEROIDALE GJS400/15 - DUCTILE IRON GJS400/15
3 VITE - SCREW	ACCIAIO INOX A2 - STAINLESS STEEL A2
4 ANELLO PREMI GUARNIZIONE - RETAINING RING	ACCIAIO INOX AISI 304 - STAINLESS STEEL AISI 304
5 ANELLO DI TENUTA SUL DISCO - DISC SEALING RING	EPDM - EPDM
6 ANELLO DI TENUTA SUL CORPO - BODY SEALING RING	ACCIAIO INOX AISI 304 - STAINLESS STEEL AISI 304
7 O-RING - O-RING	EPDM - EPDM
8 ALBERO CONDUTTORE - SHAFT (DRIVEN END)	ACCIAIO INOX AISI 420 - STAINLESS STEEL AISI 420
9 ALBERO GUIDA - SHAFT (FREE END)	ACCIAIO INOX AISI 420 - STAINLESS STEEL AISI 420
10 CHIAVETTA - KEY	ACCIAIO INOX AISI 420 - STAINLESS STEEL AISI 420
11 PERNO - PIN	ACCIAIO INOX AISI 420 - STAINLESS STEEL AISI 420
12 BOCCOLA - SEAL BUSH	BRONZO/ALLUMINO - ALUMINIUM/BRONZE
13 BOCCOLA - SEAL BUSH	BRONZO/ALLUMINO - ALUMINIUM/BRONZE
14 COPERCHIO - COVER	GHISA SFEROIDALE GJS400/15 - DUCTILE IRON GJS400/15
15 BULLONE - BOLT	ACCIAIO INOX A2 - STAINLESS STEEL A2
16 RIDUTTORE - GEAR BOX	GHISA SFEROIDALE GJS400/15 - DUCTILE IRON GJS400/15

RIVESTIMENTO ESTERNO/INTERNO: Polvere epossidica 3M di colore BLU RAL 5015 con spessore min 250µm.

SURFACE PROTECTION: FBE coating process with 3M epoxy resin powder of sky blue color RAL 5015 and minimum thickness of 250µm.

	DN	G	K	D	n-ød	b	L	e1	e2	e3	e4	e5	ød1	h1	h2	h3	W(kg)
P N 1 0	80	132	160	200	8-19	19	180	232	117	183	43	73	180	105	-	155	22
	100	156	180	220	8-19	19	190	258	136	209	43	73	180	115	-	155	31
	150	211	240	285	8-23	19	210	284	169	235	43	73	180	148	-	155	34
	200	266	295	340	8-23	20	230	337	200	278	64	127	250	175	145	200	36
	250	319	350	395	12-23	22	250	367	226	308	64	127	250	203	145	200	54
	300	370	400	445	12-23	24.5	270	418	253	350	94	157	250	228	178	238	70
	350	429	460	505	16-23	24.5	290	453	298	385	94	157	250	258	178	238	105
	400	480	515	565	16-28	24.5	310	546	333	456	132	195	400	288	205	275	136
	450	530	565	615	20-28	25.5	330	571	370	481	132	195	400	313	205	275	190
	500	582	620	670	20-28	26.5	350	605	400	515	185	251	400	340	336	391	223
	600	682	725	780	20-31	30	390	715	457	605	185	251	400	395	336	391	275
	700	794	840	895	24-31	32.5	430	785	538	670	185	251	400	453	336	391	408
	800	901	950	1015	24-34	35	470	871	594	741	233	313	400	513	386	441	570
	900	1001	1050	1115	28-34	37.5	510	936	658	806	233	313	400	563	386	441	795
	1000	1112	1160	1230	28-37	40	550	1059	723	896	296	399	400	620	436	491	1132
	1100	1218	1270	1340	32-37	42.5	590	1120	784	960	296	399	400	675	436	491	1452
	1200	1328	1380	1455	32-41	45	630	1181	845	1018	296	399	400	733	436	491	1810
	1300	1430	1490	1575	32-44	45	670	1295	910	1106	410	538	400	793	547	602	2011
	1400	1530	1590	1675	36-44	46	710	1405	967	1194	410	538	400	843	547	602	3134
	1500	1640	1700	1785	36-44	47.5	750	1451	1040	1240	410	538	400	898	547	602	3750
1600	1750	1820	1915	40-50	49	790	1497	1113	1286	410	538	400	963	547	602	3951	
1800	1950	2020	2115	44-50	52	870	1702	1247	1464	512	727	400	1063	684	739	5691	
2000	2150	2230	2325	48-50	55	950	1920	1380	1660	512	727	400	1168	684	739	7780	



PN 10 - Art. D140 TIS1

PN 16 - Art. D141 TIS1

PN 25 - Art. D142 TIS1

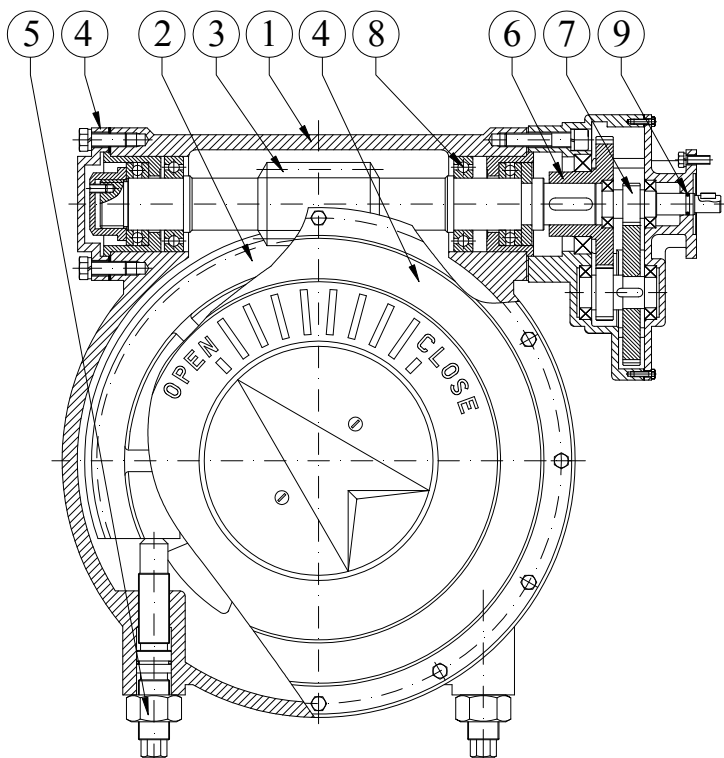
PN 16

DN	G	K	D	n-ød	b	L	e1	e2	e3	e4	e5	ød1	h1	h2	h3	W(kg)
80	132	160	200	8-19	19	180	232	117	183	43	73	180	105	-	155	22
100	156	180	220	8-19	19	190	258	136	209	43	73	180	115	-	155	31
150	211	240	285	8-23	19	210	284	169	235	43	73	180	148	-	155	34
200	266	295	340	12-23	20	230	337	200	278	64	127	250	175	145	200	36
250	319	355	405	12-28	22	250	402	227	337	94	157	250	208	178	238	54
300	370	410	460	12-28	24.5	270	433	270	368	94	157	250	235	178	238	84
350	429	470	520	16-28	26.5	290	513	305	427	132	195	250	265	205	275	112
400	480	525	580	16-31	28	310	552	344	466	132	195	250	295	205	275	176
450	548	585	640	20-31	30	330	634	380	528	185	251	400	325	336	391	210
500	609	650	715	20-34	31.5	350	660	406	554	185	251	400	363	336	391	312
600	720	770	840	20-37	36	390	736	490	630	185	251	400	425	336	391	365
700	794	840	910	24-37	39.5	430	822	546	696	233	313	400	460	386	441	554
800	901	950	1025	24-41	43	470	872	630	748	233	313	400	518	386	441	790
900	1001	1050	1125	28-41	46.5	510	994	700	836	296	399	400	568	436	491	1023
1000	1112	1170	1255	28-44	50	550	1083	776	925	296	399	400	633	436	491	1405
1100	1218	1270	1355	32-44	53.5	590	1254	795	1048	410	538	400	683	547	602	1890
1200	1328	1390	1485	32-50	57	630	1302	874	1096	410	538	400	748	547	602	2380
1300	1430	1490	1585	32-50	59	670	1402	974	1186	410	538	400	798	547	602	2950
1400	1530	1590	1685	36-50	60	710	1419	1034	1213	512	727	400	848	684	739	4200
1500	1640	1710	1820	36-57	62.5	750	1520	1140	1320	512	727	400	915	684	739	4950
1600	1750	1820	1930	40-57	65	790	1660	1160	1407	512	727	400	970	684	739	5420
1800	1950	2020	2130	44-57	70	870	-	-	-	-	-	-	-	-	-	8200
2000	2150	2230	2345	48-62	75	950	-	-	-	-	-	-	-	-	-	10000

PN 25

DN	G	K	D	n-ød	b	L	e1	e2	e3	e4	e5	ød1	h1	h2	h3	W(kg)
80	132	160	200	8-19	19	180	232	117	183	43	73	180	105	-	155	-
100	156	190	235	8-23	19	190	258	136	209	43	73	180	123	-	155	33
150	211	250	300	8-28	20	210	320	188	264	64	127	250	155	145	200	-
200	274	310	360	12-28	22	230	365	230	300	94	157	250	185	178	238	49
250	330	370	425	12-31	24.5	250	402	254	377	94	157	250	218	178	238	82
300	389	430	485	16-31	27.5	270	468	300	382	132	195	250	248	205	275	-
350	448	490	555	16-34	30	290	530	318	435	132	195	250	283	205	275	180
400	503	550	620	16-37	32	310	612	370	501	185	251	400	315	336	391	205
450	548	600	670	20-37	34.5	330	660	420	555	185	251	400	340	336	391	330
500	609	660	730	20-37	36.5	350	695	454	569	233	313	400	370	386	441	-
600	720	770	845	20-41	42	390	781	500	655	233	313	400	428	386	441	533
700	820	875	960	24-44	46.5	430	898	604	740	296	399	400	485	436	491	687
800	928	990	1085	24-50	51	470	980	673	822	296	399	400	548	436	491	1070
900	1028	1090	1185	28-50	55.5	510	1110	730	905	410	538	400	598	547	602	1325
1000	1140	1210	1320	28-57	60	550	1210	820	1003	410	538	400	665	547	602	1985
1100	1240	1310	1420	32-57	64.5	590	1378	898	1130	512	727	400	715	684	739	2440
1200	1350	1420	1530	32-57	69	630	1476	995	1224	512	727	400	770	684	739	-
1300	1450	1530	1645	32-62	72	670	1580	1095	1330	512	727	400	828	684	739	3802
1400	1560	1640	1755	36-62	74	710	1596	1151	1344	512	727	400	883	684	739	5250
1500	1678	1750	1865	36-62	77.5	750	1700	1160	1400	630	747	400	938	968	1212	-
1600	1780	1860	1975	40-62	81	790	1806	1250	1504	630	747	400	993	968	1212	-
1800	1985	2070	2195	44-70	88	870	-	-	-	-	-	-	-	-	-	-
2000	2210	2300	2425	48-70	95	950	-	-	-	-	-	-	-	-	-	-

RIDUTTORE MANUALE CON PREDISPOSIZIONE PER LA MOTORIZZAZIONE
GEAR BOX WITH PREDISPOSITION FOR ELECTRIC ACTUATOR



DENOMINAZIONE PART	MATERIALI MATERIALS
1 CORPO BODY	GJL 250 GJL 250
2 RUOTA DENTATA WORM WHEEL	GJS 400 GJS 400
3 VITE SENZA FINE WORM SHAFT	ACCIAIO C45 STEEL C45
4 COPERCHIO ADJUSTMENT COVER	GJL 250 GJL 250
5 VITE DI REGOLAZIONE TRAVELING NUT	ACCIAIO INOX AISI 420 SS AISI 420
6 INGRANAGGIO SPUR GEAR	ACCIAIO C45 STEEL C45
7 ALBERO CONDUTTORE PINION	ACCIAIO INOX AISI 420 SS AISI 420
8 CUSCINETTO BEARING	
9 O-RING O-RING	EPDM EPDM

RIVESTIMENTO ESTERNO/INTERNO: Polvere epossidica 3M di colore BLU RAL 5015 con spessore min 250 μ m.

SURFACE PROTECTION: FBE coating process with 3M epoxy resin powder of sky blue color RAL 5015 and minimum thickness of 250 μ m.

DN	PN	GEAR BOX	TURNS	DN	PN	GEAR BOX	TURNS	DN	PN	GEAR BOX	TURNS
80	10	T0	8	80	16	T0	8	80	25	T0	8
100	10	T0	8	100	16	T0	8	100	25	T0	8
125	10	T0	8	125	16	T0	8	125	25	T1	10
150	10	T0	8	150	16	T0	8	150	25	T1	10
200	10	T1	10	200	16	T1	10	200	25	T2	12
250	10	T1	10	250	16	T2	12	250	25	T2	12
300	10	T2	12	300	16	T2	12	300	25	T3	14
350	10	T2	12	350	16	T3	14	350	25	T3	56
400	10	T3	14	400	16	T3	56	400	25	T4	64
450	10	T3	56	450	16	T4	64	450	25	T4	64
500	10	T4	64	500	16	T4	64	500	25	T5	96
600	10	T4	64	600	16	T4	64	600	25	T5	96
700	10	T4	64	700	16	T5	96	700	25	T6	163.2
800	10	T5	96	800	16	T5	96	800	25	T6	163.2
900	10	T5	96	900	16	T6	163,2	900	25	T7	352.8
1000	10	T6	163,2	1000	16	T6	313,6	1000	25	T7	352.8
1200	10	-	313,6	1200	16	-	352,8	1200	25	T8	642.6
1400	10	-	352,8	1400	16	-	642,6	1400	25	T8	642.6