

U-SECTION BUTTERFLY VALVE

T.I.S. Service

PN 10 - Art. D152

PN 16 - Art. D153

PN 10 - Art. D158

PN 16 - Art. D159

VALVOLA A FARFALLA U-SECTION PN10/16

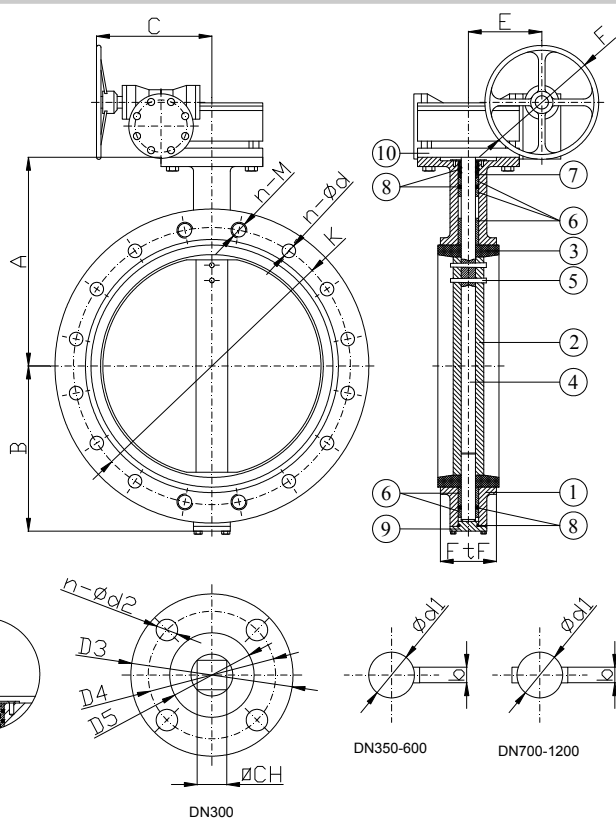
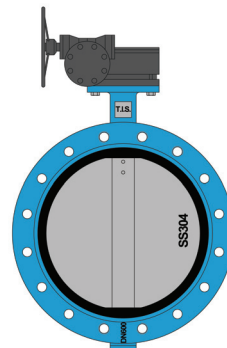
U-SECTION BUTTERFLY VALVE PN10/16

APPLICAZIONE:

Impianti idrici, riscaldamento, condizionamento e antincendio.

APPLICATION:

Water systems, heating, conditioning and fire prevention.



NORMA PROGETTO:	EN 593, EN 1074-1 ed EN 1074-2
SCARTAMENTO:	EN 558-1 Serie20
FLANGE:	EN 1092-2
COLLAUDI:	EN 12266
FLANGIA SUPERIORE:	ISO 5211
TEMP. ESERCIZIO:	EPDM ≤ 120°C
DESIGN STANDARD:	EN 593, EN 1074-1 and EN 1074-2
FACE TO FACE:	EN 558-1 Series20
FLANGES:	EN 1092-2
TESTS:	EN 12266
TOP FLANGE:	ISO 5211
WORKING TEMP.:	EPDM ≤ 120°C

DENOMINAZIONE
PARTMATERIALI
MATERIALS

PART	MATERIALS	
	Art.D152-153	Art.D158-159
1 CORPO BODY	GJS 400 GJS 400	
2 DISCO DISC	GJS 400 GJS 400	INOX AISI 304 SS AISI 304
3 TENUTA SEAT	NBR o EPDM NBR or EPDM	
4 ALBERO STEM	ACCIAIO INOX AISI 420 SS AISI 420	
5 PIN PIN	ACCIAIO INOX AISI 420 SS AISI 420	
6 BOCCOLA BUSHING	PTFE PTFE	
7 BOCCOLA DI TENUTA SEAL BUSH	BRONZO/ALLUMINIO ALUMINIUM/BRONZE	
8 O-RING O-RING	NBR NBR	
9 COPERCHIO COVER	GJS 400 GJS 400	
10 RIDUTTORE GEAR BOX	GHISA GRIGIA CAST IRON	

RIVESTIMENTO ESTERNO/INTERNO: Polvere epossidica 3M di colore BLU RAL 5015 con spessore min 250µm.

SURFACE PROTECTION: FBE coating process with 3M epoxy resin powder of sky blue color RAL 5015 and minimum thickness of 250µm.

DN	K		n-ød		n-M		D3	D4	D5	n-ød2	CH	ød1	b	H	A	B	C	E	F	FtF	W (kg)
	PN10	PN16	PN10	PN16	PN10	PN16															
300	400	410	12-23	12-28	-	-	140	102	70	4-12	22	-	-	45	337	242	227	80	300	78	45
350	460	470	12-23	12-28	4-M20	4-M24	150	125	85	4-14	-	28	8	52	368	267	227	80	300	78	58
400	515	525	12-28	12-31	4-M24	4-M27	197	140	100	4-18	-	36	10	52	400	309	278	179	300	102	85
450	565	585	16-28	16-31	4-M24	4-M27	197	140	100	4-18	-	42	10	52	422	328	278	179	300	114	119
500	620	650	16-28	16-34	4-M24	4-M30	197	140	100	4-18	-	42	10	65	480	361	278	179	300	127	192
600	725	770	16-31	16-37	4-M27	4-M33	276	165	130	4-22	-	50	16	70	562	459	304	198	300	154	275
700	840	840	20-31	20-37	4-M27	4-M33	300	254	200	8-18	-	60	18	110	624	520	366	277	500	163	332
800	950	950	20-34	20-41	4-M30	4-M36	300	254	200	8-18	-	60	18	110	672	591	366	277	500	190	495
900	1050	1050	24-34	24-41	4-M30	4-M36	300	254	200	8-18	-	72	20	110	720	656	481	335	500	203	618
1000	1160	1170	24-37	24-44	4-M33	4-M39	350	298	230	8-22	-	80	22	130	800	721	481	335	500	216	743
1200	1380	1390	28-41	28-50	4-M36	4-M45	350	298	230	8-22	-	105	28	130	941	844	481	335	600	276	950