

T.I.S.

PN 10 - Art. A022 TIS1

PN 16 - Art. A023 TIS1

SARACINESCA CUNEO GOMMATO PN10/16 CORPO OVALE

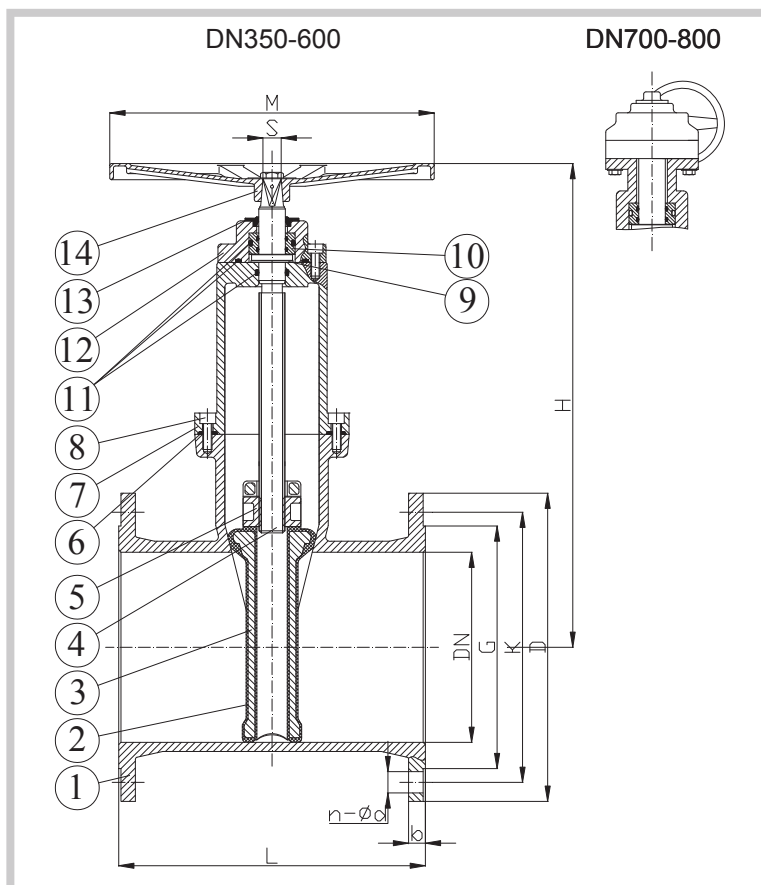
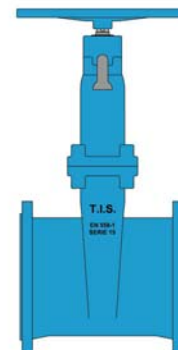
SOFT SEATED GATE VALVE PN10/16 LONG BODY

APPLICAZIONE:

Fornitura e distribuzione acqua potabile, trattamento acque reflue e sistemi fognari, settori industriali.

APPLICATION:

Drinkable water supply and distribution, waste water treatment and sewerage.



NORMA PROGETTO:

EN 1171
EN 1074-1 ed EN 1074-2

SCARTAMENTO:

EN 558 Serie15

FLANGE:

EN 1092-2

COLLAUDI:

EN 12266-1

TEMP. ESERCIZIO:

EPDM ≤ 70°C

DESIGN STANDARD:

EN 1171
EN 1074-1 and EN 1074-2

FACE TO FACE:

EN 558 Series15

FLANGES:

EN 1092-2

TESTS:

EN 12266-1

WORKING TEMP.:

EPDM ≤ 70°C

DENOMINAZIONE PART

MATERIALI MATERIALS

DENOMINAZIONE PART	MATERIALI MATERIALS
1 CORPO BODY	EN-GJS 500-7 EN-GJS 500-7
2 RIVESTIMENTO CUNEO WEDGE	GOMMA EPDM (o NBR) EPDM COATED (or NBR)
3 STRUTT. CUNEO CORE	EN-GJS 500-7 EN-GJS 500-7
4 ASSE STEM	ACC.INOX AISI 420 (EN 1.4021) SS AISI 420 (EN 1.4021)
5 MADREVITE STEM NUT	BRONZO ALLUMINIO ALUMINIUM BRONZE
6 GUARNIZIONE GASKET	EPDM EPDM
7 CAPPELLO BONNET	EN-GJS 500-7 EN-GJS 500-7
8 VITE SCREW	ACCIAIO ZINCATO 8.8 GALVANIZED STEEL 8.8
9 RONDELLA WASHER	POM POM
10 BOCCOLA DI TENUTA SEAL BUSHING	BRONZO BRONZE
11 O-RING O-RING	NBR NBR
12 COPERCHIO COVER	EN-GJS 500-7 EN-GJS 500-7
13 PARAPOLVERE DUSTPROOF	NBR NBR
14 VOLANTINO HANDWHEEL	EN-GJS 500-7 EN-GJS 500-7

DN	PN	G	K	D	L	H	n-ød	b	M	S	W(kg)
350	10	429	460	505	550	845	16-23	24.5	500	27	209
	16	429	470	520	550	845	16-28	26.5	500	27	220
400	10	480	515	565	600	975	16-28	24.5	640	32	299
	16	489	525	580	600	975	16-31	28	640	32	310
450	10	530	565	615	650	1080	20-28	25.5	800	32	400
	16	548	585	640	650	1080	20-31	30	800	32	410
500	10	582	620	670	700	1120	20-28	26.5	800	36	447
	16	609	650	715	700	1120	20-34	31.5	800	36	467
600	10	682	725	780	800	1330	20-31	30	800	41	749
	16	720	770	840	800	1330	20-37	36	800	41	776
700*	10	794	840	895	900	1450	24-31	32.5	-	-	973
	16	794	840	910	900	1450	24-37	39.5	-	-	988
800*	10	901	950	1015	1000	1640	24-34	35	-	-	1465
	16	901	950	1025	1000	1640	24-41	43	-	-	1484

*Con RIDUTTORE - *With GEAR BOX

RIVESTIMENTO ESTERNO/INTERNO: Polvere epossidica di colore blu RAL 5015 con spessore 250µm.

SURFACE PROTECTION: FBE coating process with epoxy resin powder of blue color RAL 5015 and thickness of 250µm.