



PN 10 - Art. A022 TIS1

PN 16 - Art. A023 TIS1

SARACINESCA CUNEO GOMMATO PN10/16 CORPO OVALE

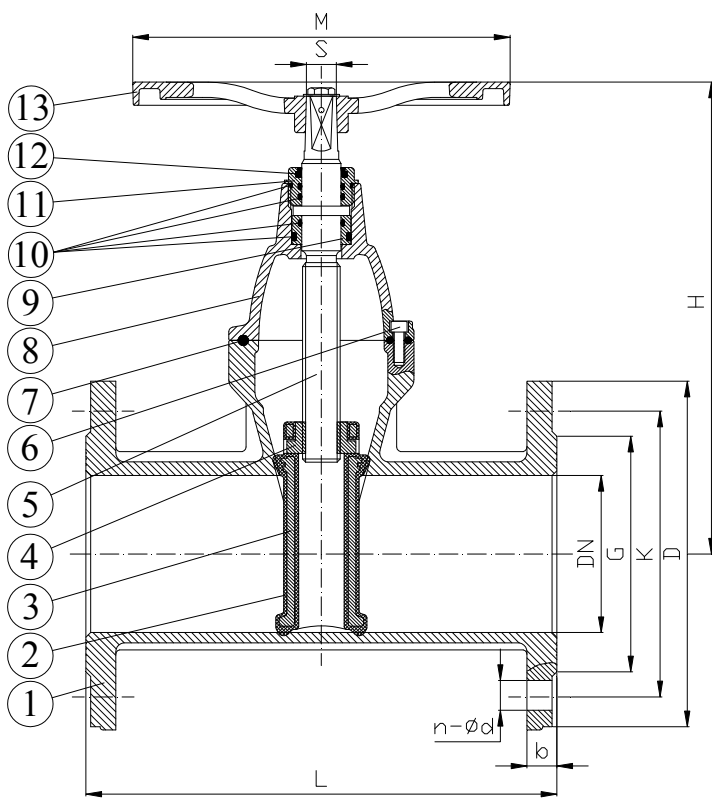
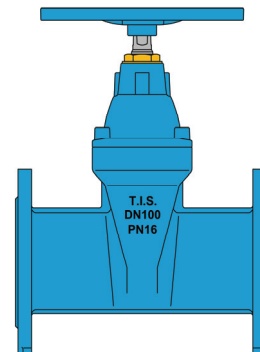
SOFT SEATED GATE VALVE PN10/16 LONG BODY

APPLICAZIONE:

Fornitura e distribuzione acqua, trattamento acque reflue e sistemi fognari, settori industriali.

APPLICATION:

Water supply and distribution, waste water treatment and sewerage.



NORMA PROGETTO:

EN 1171
EN 1074-1 ed EN 1074-2

SCARTAMENTO:

EN 558-1 Serie15

FLANGE:

EN 1092-2

COLLAUDI:

EN 12266

TEMP. ESERCIZIO:

EPDM ≤ 70°C

DESIGN STANDARD:

EN 1171
EN 1074-1 and EN 1074-2

FACE TO FACE:

EN 558-1 Series15

FLANGES:

EN 1092-2

TESTS:

EN 12266

WORKING TEMP.:

EPDM ≤ 70°C

DENOMINAZIONE PART

MATERIALI MATERIALS

1	CORPO BODY	GJS 500 GJS 500
2	RIVESTIMENTO CUNEO WEDGE	GOMMA EPDM EPDM COATED
3	STRUTT. CUNEO CORE	GJS 500 GJS 500
4	MADREVITE STEM NUT	BRONZO ALLUMINIO ALUMINIUM BRONZE
5	ASSE STEM	ACCIAIO INOX AISI 420 STAINLESS STEEL AISI 420
6	VITE SCREW	ACCIAIO ZINCATO GALVANIZED STEEL
7	GUARNIZIONE GASKET	EPDM EPDM
8	CAPPELLO BONNET	GJS 500 GJS 500
9	BOCCOLA BUSHING	POM POM
10	O-RING O-RING	NBR NBR
11	BOCCOLA DI TENUTA PACKING GLAND	OTTONE BRASS
12	PARAPOLVERE DUSTPROOF	NBR NBR
13	VOLANTINO HANDWHEEL	GJS 500 GJS 500

DN	G	K		D		L	H	n-ød		b	M	S	W (kg)
		PN10	PN16	PN10	PN16			PN10	PN16				
40	84	110	110	150	150	240	203	4-19	4-19	19	200	14	9
50	98	125	125	165	165	250	205	4-19	4-19	19	200	14	10.5
65	118	145	145	185	185	270	225	4-19	4-19	19	200	17	13.5
80	132	160	160	200	200	280	250	4-19	8-19	19	200	17	15.5
100	156	180	180	220	220	300	292	8-19	8-19	19	250	19	22
125	184	210	210	250	250	325	329	8-19	8-19	19	250	19	26
150	211	240	240	285	285	350	379	8-23	8-23	19	350	19	37
200	266	295	295	340	340	400	482	8-23	12-23	20	350	24	59
250	319	350	355	395	405	450	560	12-23	12-28	22	500	27	90
300	370	400	410	445	460	500	636	12-23	12-28	24.5	500	27	126

RIVESTIMENTO ESTERNO/INTERNO: Polvere epossidica 3M di colore BLU RAL 5015 con spessore min 250µm.

SURFACE PROTECTION: FBE coating process with 3M epoxy resin powder of sky blue color RAL 5015 and minimum thickness of 250µm.