



PN 10 - Art. A020 TIS1

PN 16 - Art. A021 TIS1

**SARACINESCA CUNEO GOMMATO PN10/16 CORPO PIATTO**

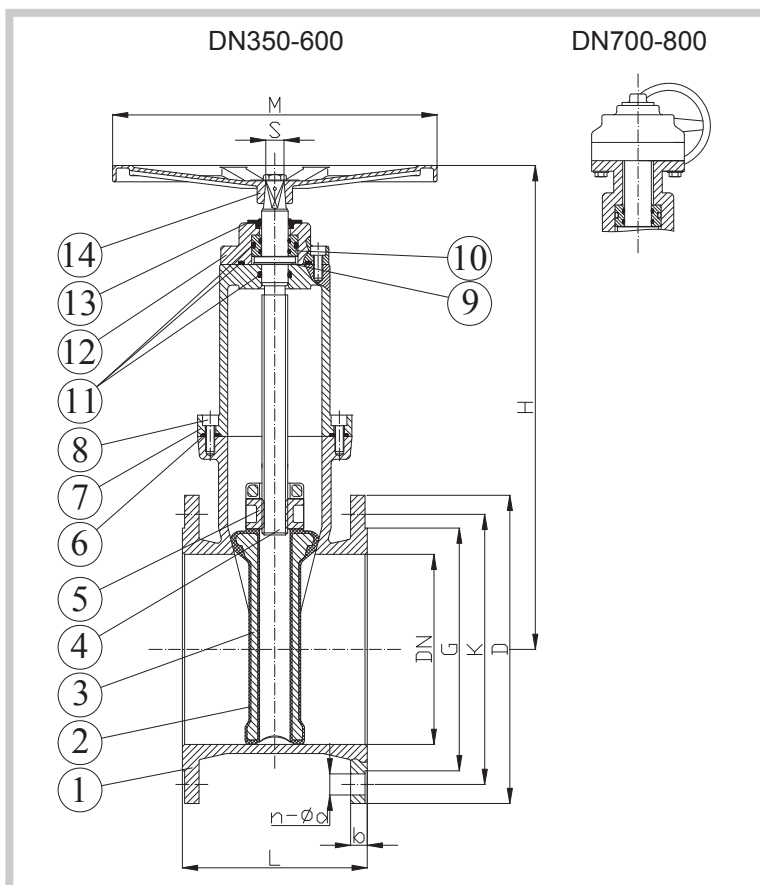
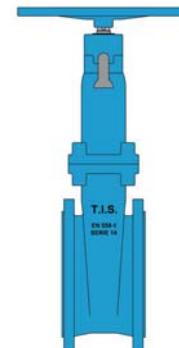
**SOFT SEATED GATE VALVE PN10/16 SHORT BODY**

**APPLICAZIONE:**

Fornitura e distribuzione acqua potabile, trattamento acque reflue e sistemi fognari, settori industriali.

**APPLICATION:**

Drinkable water supply and distribution, waste water treatment and sewerage.



**NORMA PROGETTO:**

EN 1171  
EN 1074-1 ed EN 1074-2

**SCARTAMENTO:**

EN 558 Serie14

**FLANGE:**

EN 1092-2

**COLLAUDI:**

EN 12266-1

**TEMP. ESERCIZIO:**

EPDM ≤ 70°C

**DESIGN STANDARD:**

EN 1171  
EN 1074-1 and EN 1074-2

**FACE TO FACE:**

EN 558 Series14

**FLANGES:**

EN 1092-2

**TESTS:**

EN 12266-1

**WORKING TEMP.:**

EPDM ≤ 70°C

DENOMINAZIONE PART	MATERIALI MATERIALS
1 CORPO BODY	EN-GJS 500-7 EN-GJS 500-7
2 RIVESTIMENTO CUNEO WEDGE	GOMMA EPDM (o NBR) EPDM COATED (or NBR)
3 STRUTT. CUNEO CORE	EN-GJS 500-7 EN-GJS 500-7
4 ASSE STEM	ACC.INOX AISI 420 (EN 1.4021) SS AISI 420 (EN 1.4021)
5 MADREVITE STEM NUT	BRONZO ALLUMINIO ALUMINIUM BRONZE
6 GUARNIZIONE GASKET	EPDM EPDM
7 CAPPELLO BONNET	EN-GJS 500-7 EN-GJS 500-7
8 VITE SCREW	ACCIAIO ZINCATO 8.8 GALVANIZED STEEL 8.8
9 RONDELLA WASHER	POM POM
10 BOCCOLA DI TENUTA SEAL BUSHING	BRONZO BRONZE
11 O-RING O-RING	NBR NBR
12 COPERCHIO COVER	EN-GJS 500-7 EN-GJS 500-7
13 PARAPOLVERE DUSTPROOF	NBR NBR
14 VOLANTINO HANDWHEEL	EN-GJS 500-7 EN-GJS 500-7

DN	PN	G	K	D	L	H	n-ød	b	M	S	W(kg)
350	10	429	460	505	290	845	16-23	24.5	500	27	184
	16	429	470	520	290	845	16-28	26.5	500	27	192
400	10	480	515	565	310	975	16-28	24.5	640	32	267
	16	489	525	580	310	975	16-31	28	640	32	278
450	10	530	565	615	330	1080	20-28	25.5	800	32	330
	16	548	585	640	330	1080	20-31	30	800	32	355
500	10	582	620	670	350	1120	20-28	26.5	800	36	391
	16	609	650	715	350	1120	20-34	31.5	800	36	411
600	10	682	725	780	390	1330	20-31	30	800	41	652
	16	720	770	840	390	1330	20-37	36	800	41	679
700*	10	794	840	895	430	1450	24-31	32.5	-	-	821
	16	794	840	910	430	1450	24-37	39.5	-	-	836
800*	10	901	950	1015	470	1640	24-34	35	-	-	1250
	16	901	950	1025	470	1640	24-41	43	-	-	1269

\*Con RIDUTTORE - \*With GEAR BOX

**RIVESTIMENTO ESTERNO/INTERNO:** Polvere epossidica di colore blu RAL 5015 con spessore 250µm.  
**SURFACE PROTECTION:** FBE coating process with epoxy resin powder of blue color RAL 5015 and thickness of 250µm.