



GESTRA® Steam Traps · Product Range Group A1

UNA-SPECIAL Type 62

Float Trap UNA-SPECIAL, Type 62 PN 16 DN 65 – 100 mm (2 1/2" – 4")

Description

Float traps for all operating conditions, also for draining gas or compressed-air lines and for the discharge of other cold condensates or distillates.

The closing mechanism (slide valve) is operated by the float as a function of the condensate level in the trap and by the Duplex thermic element (when fitted) as a function of the temperature. The condensate formed is immediately discharged.

Within the operating range of the trap banking-up of condensate or loss of live steam are avoided.

The traps with Duplex control (suitable for the discharge of steam condensate only) guarantee automatic deaeration of the plant during start-up.

Range

Max. service pressure	bar g 16
	psig 230
Max. temperature	°C 300
Max. differential pressure	16 bar (230 psi)

Differential pressure = inlet pressure minus outlet pressure

Design

Standard design: Trap composed of body with cover. The control unit consisting of ball float, rods and slide valve is connected to the cover. The seat is pressed into it. With lifting lever for manual opening of closing mechanism and hand vent valve mounted at the highest point of the trap.

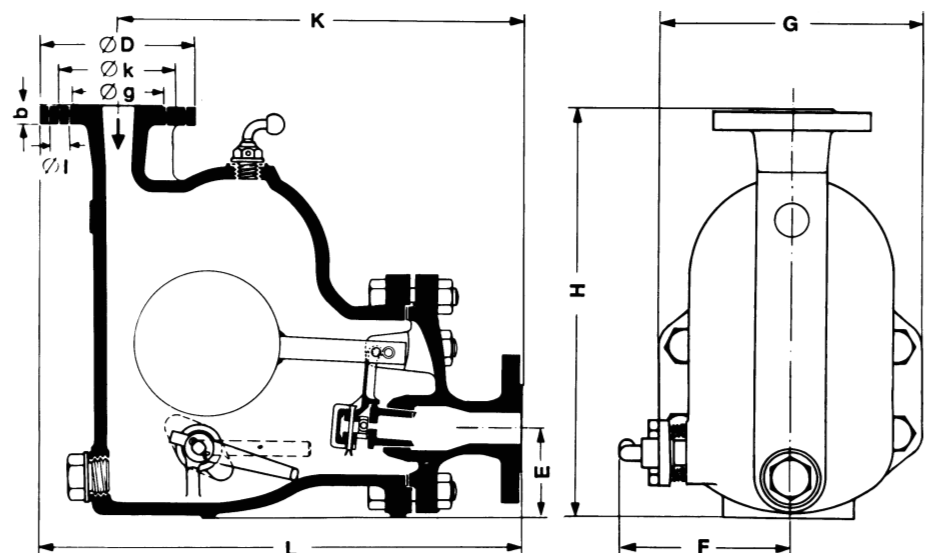
Design with Duplex control: On request available in sizes 65–80 mm (2 1/2–3") at extra cost. The Duplex control consists of ball float, thermic element (bimetallic element) and slide valve closing mechanism. At temperatures up to 80 °C the slide valve is kept open by the thermic element independent of the condensate level in the trap. Lifting lever and hand vent valve are superfluous.

Connections

Flanges to DIN, PN 16 (BS 4504, table 16)

Materials

Body and cover: Grey cast iron GG-25.
Seat: Stainless steel X 40 Cr 13.
Slide valve: Stainless steel X 20 Cr 13.
Ball float: Stainless steel X 8 CrTi 17.
Thermic element: Corrosion-resistant bi-metal.



Standard design (with lifting lever and hand vent valve)

Dimensions

DN	Dimensions in mm						Flange measurements in mm					Number of bolts	Approx. weight kg	
	mm	in	L	H	G	K	E	F	D	k	l			b
65	2 1/2	563	500	275	470	105	185	185	145	18	20	122	4	68
80	3	590	530	310	490	110	190	200	160	18	22	138	8	95
100	4	810	720	455	700	125	275	220	180	18	24	158	8	200

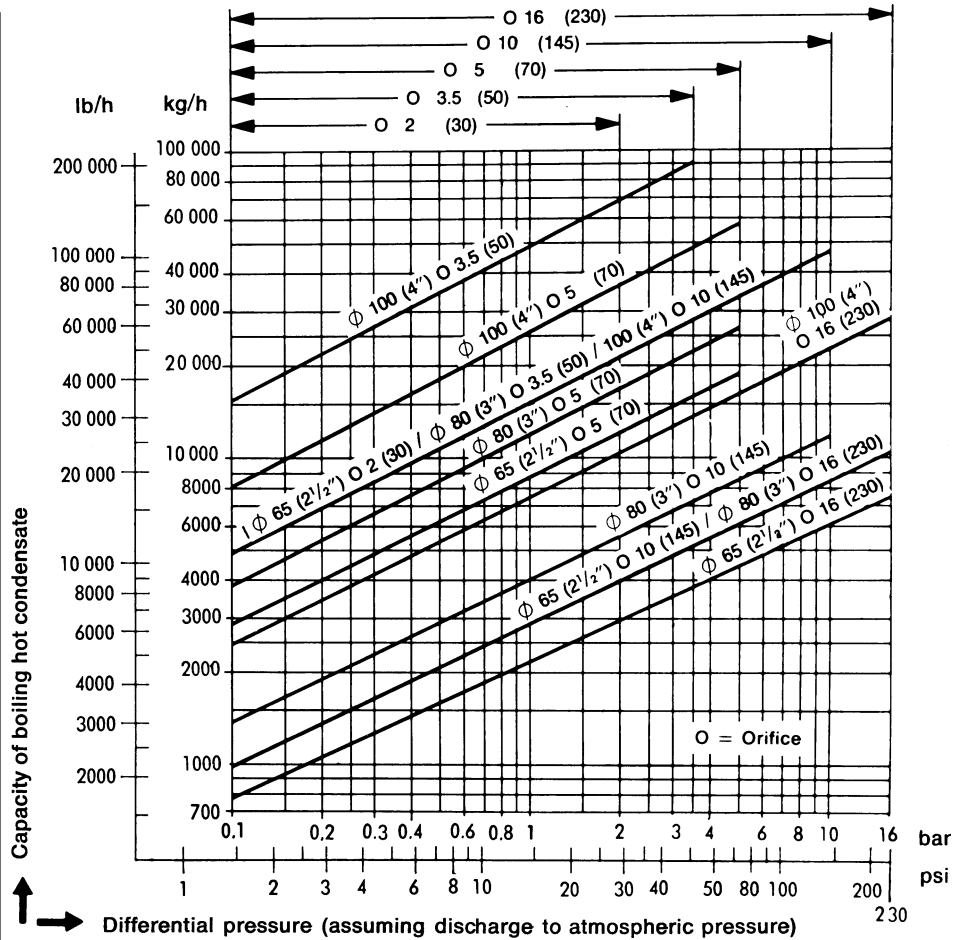
Float Trap UNA-SPECIAL, Type 62 PN 16 DN 65 – 100 mm (2½" – 4")

Capacity Chart

The chart shows the maximum capacities of boiling hot condensate for the different sizes and the range of orifices (O). The cold water capacities are approximately 1.1–1.6 times higher than the corresponding hot condensate figures. The factor increases with rising differential pressures.

The capacities are dependent on the differential pressure (working pressure). The differential pressure is the difference between inlet and outlet pressures and depends among other things on the run of the pipeline. If the condensate downstream of the trap is lifted, the differential pressure (working pressure) is reduced by approximately 1 bar for 7 m (or 2 psi for 3 feet) in lift.

The maximum admissible differential pressure is dependent on the cross-sectional area of the orifice. The traps are normally supplied for a maximum differential pressure of 16 bar (230 psi). For the discharge of larger capacities with the same trap size, orifices provided with a larger cross-sectional area can be used: in all available sizes for differential pressures up to 10 bar (145 psi) or 5 bar (70 psi), in sizes 80 and 100 mm (3 and 4") for a differential pressure up to 3.5 bar (50 psi), in size 65 mm (2½") for a differential pressure up to 2 bar (30 psi).



When ordering please state:

Inlet pressure, outlet pressure, quantity of condensate to be discharged, design, size (DN) and desired orifice, position of the trap and details of application.

The following test certificates can be issued on request, at extra cost:

In accordance with DIN 50049/2.1, -2.2 and -3.1 B.

All inspection requirements have to be stated with the order. After supply of the equipment certification cannot be established. For tests and inspection charges please consult us.

Supply in accordance with our general terms of business.

Technical modifications reserved.



GESTRA AG

P. O. Box 10 54 60, D-28054 Bremen
Münchener Str. 77, D-28215 Bremen

Telephone +49 (0) 421 35 03-0, Fax +49 (0) 421 35 03-393

E-Mail gestra.ag@flowserve.com, Internet www.gestra.de



Flow Control Division